



Picture may vary from actual product

Lite.Gate

Lite-Gate adalah pintu parkir cerdas, menggunakan solusi RFID dan barcode, dan menyediakan akses ke dunia online. Kembangkan business model Anda; jadilah bagian dari solusi kehidupan metropolitan. Lite.Gate akan mendukung Anda dengan solusi terbaiknya!

Pentiketitan Yang Mudah

- Gunakan Lite.Gate sebagai pintu masuk. tiket berdurasi jangka pendek akan dihasilkan oleh printer khusus untuk paper roll yang hemat biaya.
- RFID dan Barcode Reading solusi komprehensif untuk media umum.
- Pintu Masuk ke Dunia Online Aplikasi read-only (pure reading vs tiket) adalah salah satu dari solusi IT terkini.
- Solusi Pembayaran via Kartu Kredit terdapat komponen PIN pad, reader kartu kredit, dan printer tanda terima.

Sebagai Kartu Nama Anda

- Desain Berkualitas Material bermutu tinggi dengan warna-warna yang menyala menyatu secara elegan dengan bermacam bentuk bangunan.
- Penampilan Profesional komunikasi dua arah lewat video memberi wajah kepada perusahaan Anda.
- Memberi Kesan Mendalam Merupakan pengalaman tersendiri ketika pengguna berinteraksi dengan Lite.Gate yang responsif dan berpenampilan menarik

Kualiatas Yang Meningkatkan Efisiensi

- Transaksi 24 Jam Peralatan RFID tanpa sentuh dan teknologi barcode menyala dan siap menjalankan transaksi di setiap saat.
- Hemat Biaya komponen mesin ini tidak banyak memerlukan pemeliharaan.

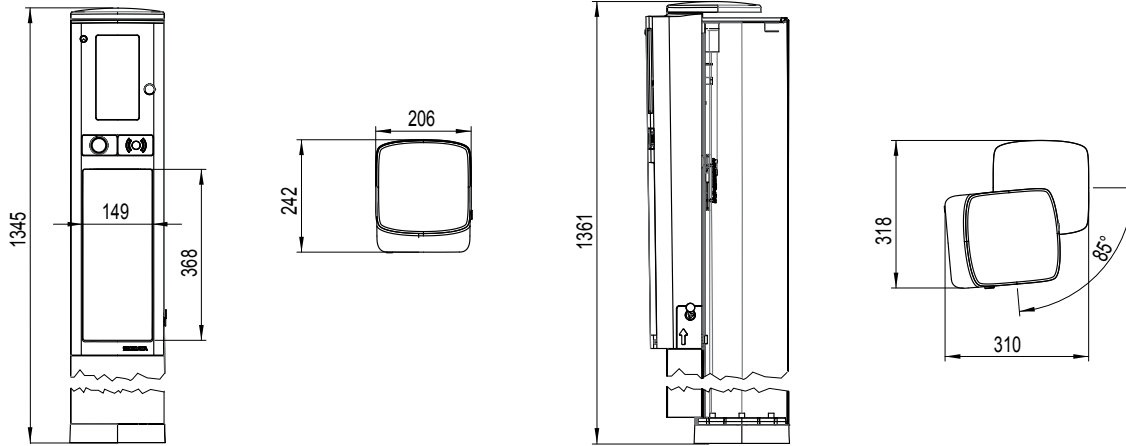
Mengoptimalkan Investasi Anda

- Sesuai untuk Budget Anda solusi ini dapat dikostumisasi sesuai kebutuhan.
- Melindungi Investasi Anda Mengakomodasi kebutuhan mendatang, mesin ini dapat dilengkapi fitur-fitur tambahan.
- Hemat Pengeluaran Bermacam solusi SKIDATA dapat saling dipadu padan, membuat proses ekspansi bisnis lebih lancar.

Hemat Biaya dan Ramah Lingkungan

- Meminimalkan Penggunaan Listrik Menggunakan fitur 'energy saving' dan tidak perlu pemanas tambahan untuk suhu diatas -20 derajat C.
- Material yang Dapat Didaur Ulang

all dimensions in mm
all dimensions without options



open state

Features

Design/Construction

- Unique design based on aluminum and high-grade synthetics
- Modular, easy maintain construction
- Flexible extension options ensure maximum investment protection
- Weather-proof, thanks to use of durable high-grade materials, such as aluminum
- Ethernet interface for efficient system integration
- Large installation space for add-on modules (e.g., PIN pad, credit card reader, etc.)

Operation

- Intuitive user interaction helps to ensure very high processing rates
- Visual and acoustic feedback provides additional user support

Green Efficiency

- Optimised for low power consumption; no heating required down to $-20\text{ }^{\circ}\text{C}$ ($-4\text{ }^{\circ}\text{F}$)
- Materials provide high degree of re-usability

Options

Design/Construction

- LED light bar serves as a stylish, illuminated eye-catcher
- Housing available in custom colors

Ticket Processing

- Ticket dispenser functionality with paper roll printer for short term parking tickets

- RFID module for reading and encoding 13 MHz keycards
- Print@Home scanner with special optical array for paper tickets and Smartphones; supports various formats
- Receipt printer for entire credit card solution
- Crosswise barcode ticket insert reader for 'classic' ticketing

Communication

- Analog intercom
- Integrated digital intercom (Ethernet)
- Bi-directional (i. e., duplex) video communication (solution includes camera hardware)

Displays

- Basic status display for simple applications
- Bright high-resolution graphics display ensures good readability under any light conditions; supports clear, vivid display of commercials and videos (with automatic brightness adjustment); 800×480 pixels
- Outdoor capable touch screen for additional Parking Column control functions (can be operated while wearing gloves)
- Sophisticated display modes support various applications and design options

Accessories

- Locking system with mechanical or electronic locks, supports configurable access permissions
- Various contact and interface extensions to suit a wide range of requirements
- Heating and cooling for extreme ambient temperatures
- AFILS Acoustic support for clear intelligibility
- Lane signal

Technical Specifications

Dimensions	206 mm × 1345 mm × 242 mm / 8,11" × 52,95" × 9,53" (w × h × d)
Weight	approx. 20 kg (44 lbs)
Operating voltage	100-240 V ±10 % / 50-60 Hz
Operating temperature	$-20\text{ }^{\circ}\text{C}$ ($-4\text{ }^{\circ}\text{F}$) to $+50\text{ }^{\circ}\text{C}$ ($+122\text{ }^{\circ}\text{F}$) in shade $-20\text{ }^{\circ}\text{C}$ ($-4\text{ }^{\circ}\text{F}$) to $+40\text{ }^{\circ}\text{C}$ ($+104\text{ }^{\circ}\text{F}$) under sun exposure
Operating temperature with additional cooling	up to $+50\text{ }^{\circ}\text{C}$ ($+122\text{ }^{\circ}\text{F}$) under sun exposure
Operating temperature with additional heater	down to $-40\text{ }^{\circ}\text{C}$ ($-40\text{ }^{\circ}\text{F}$)
Max. ambient humidity	90 % (non-condensing)
Support stand color	Brushed anodized aluminum
Cover color	RAL 7037 Dusty Grey (varnished plastic)
Panel color	RAL 7021 Black Grey (varnished plastic)
Declarations / Certifications	CE, FCC, IC, _C NRTL _{US}
Degree of protection based on IEC 60529	IP43
Systemrequirements	Parking.Logic V07 or higher