



Barrier.Gate

Suatu Sistem yang Multifungsi

Palang Lebih Panjang, Gerak Lebih Cepat

- Panjang palang maksimal 4.5 meter untuk model standar, dengan opsi kunci magnetik untuk mencegah penyalahgunaan.
- Kecepatan waktu buka tutup palang dapat dikonfigurasi sampai 15% lebih cepat dibanding sistem lain.

Sistem barrier Gate Mandiri

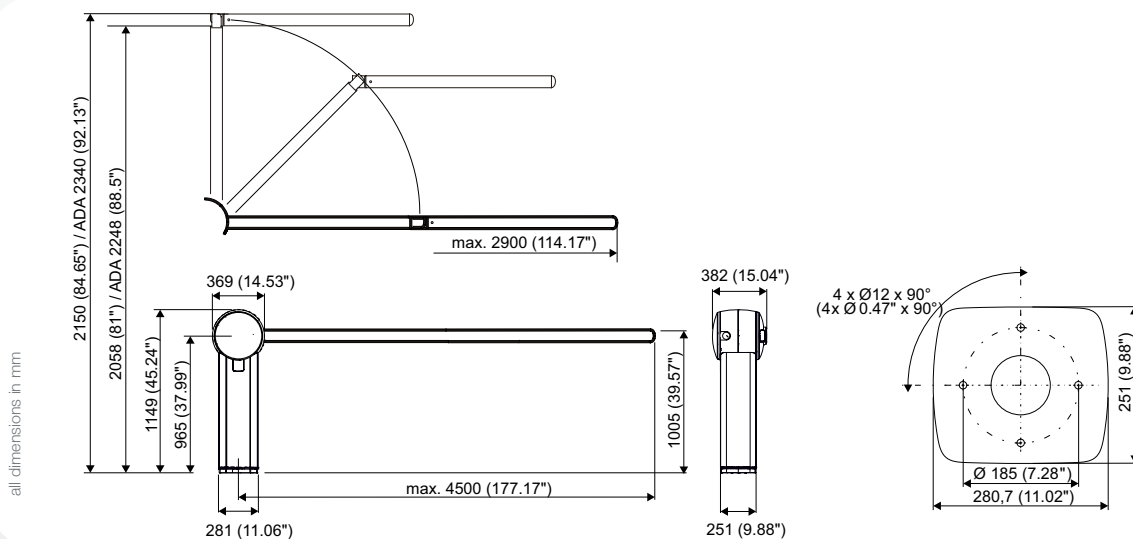
- Untuk area parkir berlangganan, cukup menggunakan Barrier.Gate, tanpa tambahan perangkat lainnya.
- Hanya membutuhkan RFID Reader terintegrasi sebagai pengenalan kendaraan yang memasuki area parkir.

Fitur fitur baru

- Display berbagai tanda rambu menggunakan track light terintegrasi di bagian atas Barrier.Gate.
- Keamanan perangkat dijamin oleh kamera video built-in dan anti vandalisme.
- Palang bisa menyala dengan warna menarik yang dihasilkan oleh lampu RGB LED, untuk kemudahan orientasi pengguna parkir.

Komponen Berkualitas Tinggi dan Hemat Energi

- Desain Barrier.Gate adalah yang terbaik di bidangnya.
- Menggunakan komponen yang hemat energi.
- Mampu beroperasi dalam suhu apapun tanpa memerlukan ventilasi atau alat pemanas tambahan



Features

- Housing made from high-impact resistant plastic; support stand manufactured from eloxed aluminum
- Integrated drive gear motor with frequency converter control and slipping clutch
- Self-locking drive (stops motion in case of power failure)
- Barrier breakage detector
- Variable opening times, configurable in accordance with barrier arm length
- Barrier arms made from GRP
- Barrier arm lengths up to 4,5 m (14,76 ft)
- Barrier arms are easy to mount
- Versions for left-hand and right-hand traffic

Standard Version

- Parking barrier with mounting plate, main body manufactured from aluminum, drive motor and washer for barrier arm installation
- Electronic control assembly with data connection to Power.Gate, Lite.Gate or Column.Gate parking column
- Yellow contour stripe
- Triangular key for opening the housing

Options

Barrier arms

- Standard: Color: Traffic Yellow RAL 1023/translucent; non-illuminated for lengths up to 4,5 m (14,76 ft)
- Multi-color version: Color: white/translucent, with interior RGB LEDs for optional illumination of barrier arm in red, yellow and green to indicate closed, opening, and open states, respectively; lengths up to 4,5 m (14,76 ft)
- Jointed barrier arm: Overhead clearance: 2,07 m (6,8 ft) or 2,25 m (7,38 ft); Lengths 2,5 m (8,2 ft) or 2,9 m (9,5 ft)
- Multi-color jointed barrier arm with interior RGB LEDs: Overhead clearance: 2,07 m (6,8 ft) or 2,25 m (7,38 ft); Lengths 2,5 m (8,2 ft)

Functional modules

- Up to 2 double loop detectors for detection of vehicles and passage direction
- Bi-directional red warning light to indicate moving barrier arm
- Beeper for acoustic indication of barrier motion
- Crash guard, made from stainless steel
- Interface for illumination options and optional loop detectors
- Interface for up to 16 additional I/Os
- Barrier lock for Webkey system
- Lock for installation in locking systems
- White contour stripe
- Backlight for contour stripe
- Barrier arm support (with or without magnetic lock)

Technical Specifications

Dimensions	382 mm x 1149 mm x 369 mm / 15,04" x 45,24" x 14,53" (w x h x d)
Weight	48 kg (105,82 lbs) (without barrier arm)
Operating voltage	100-240 V \pm 10% / 50-60 Hz / Maximum current 1,8 A at 240 V or 4,8 A at 100 V With heater for 220-240 V \pm 10% / 50-60 Hz / 3,8 A maximum current With heater for 100-127 V \pm 10% / 50-60 Hz / 8,1 A maximum current
Temperature range	Standard: -20 °C to +50 °C (-4 °F to +122 °F) Cold Kit (heater): -40 °C to +50 °C (-40 °F to +122 °F) Hot Kit: -20 °C to +55 °C (-4 °F to +131 °F)
Support Stand - Color	Light Gray RAL 7035 (Anodized Aluminum)
Top Section - Color	Dusty Gray RAL 7043 (Plastic)
Base Section - Color	Traffic Gray RAL 7043 (Die-Cast Aluminum)
Contour Stripes - Color	Traffic Yellow RAL 1023
Degree of protection	IP44
System Requirements	Parking.Logic V 05.00.04 or higher
Declarations / Certifications	CE, cNRTLus, GOST

SKIDATA AG • Untersbergstraße 40 • A-5083 Grödig/Salzburg
[t] +43 6246 888-0 • [f] +43 6246 888-7 • [e] info@skidata.com [w] www.skidata.com • Version 1.5a • 28.01.2016

©2014 SKIDATA AG. All rights reserved.

The content provided herein is subject to change and possible editorial errors. Country-specific versions may vary. SKIDATA® is a registered trademark of SKIDATA AG in the USA, the European Union and other countries. Terms and conditions of the authorized SKIDATA distributor apply. The operator is fully responsible for compliance with any legal provisions applicable to the operation of the products.